



## DW-MCX4XX-XXT

### 4-RJ45 Ports Switch

1 x 100BaseFX optical fiber Ethernet port

Ideal for non-stop industrial communications



## Overview

DW-MCX4XX-XXT Unmanaged Redundant Ethernet Switch has one fiber optic Ethernet port. Its highly reliable hardware design is ideal for non-stop industrial applications.

## Specifications

### Standards:

IEEE 802.3  
IEEE 802.3u

### Interfaces:

1 x 10/100BaseFX port + 4 x 10/100BaseTX ports  
RJ-45: 10/100BaseTX  
Console: RS-232 (RJ-45 connector)

### Power Supply:

Input Voltage: 24VDC (12 ~ 36VDC)  
Input Current:  
IDS 405-1F: <0.09A@24VDC  
Overcurrent protection: provided  
Short circuit protection: provided  
Connector: 3-pin connector



**Mechanical:**

Case: metal with IP40 protection  
Dimensions: 32 x 78 x 103 mm  
Weight: 260g  
Installation: rack mount or wall mount

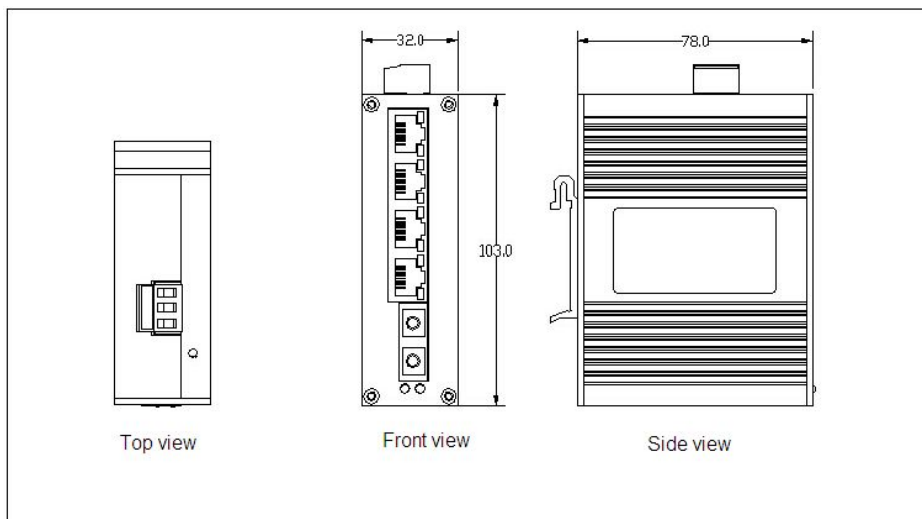
**Environment:**

Operating temperature:  
Standard: 0 ~ +60°C (32 ~ 140°F )  
Extended: -40 ~ +75°C (-40 ~ 167°F )  
Storage: -40 ~ +85°C (-40 ~ 185°F)  
Humidity: 5 ~ 95% (non-condensing)

**Standards and Certifications:**

Safety: UL 60950-1  
EMI: FCC Part 15 Subpart B Class A, EN 55022 Class A  
EMS:  
EN 61000-4-2 (ESD) Level 3, EN 61000-4-3 (RS) Level 3,  
EN 61000-4-4 (EFT) Level 3, EN 61000-4-5 (Surge) Level 3,  
EN 61000-4-6 (CS) Level 3, EN 61000-4-8 Level 3  
Shock: IEC 60068-2-27  
Free fall: IEC 60068-2-32  
Vibration: IEC 60068-2-6  
Warranty: 5 years

**Dimensions**





**Ordering Information**

Part Number	Discription
DW-MCD431-02T	10/100M,4*RJ45,dual fiber,2km,SC/ST/FC connector,-40 ~ +75°C
DW-MCD431-20T	10/100M,4*RJ45,dual fiber,20km,SC/ST/FC connector,-40 ~ +75°C
DW-MCD455-40T	10/100M,4*RJ45,dual fiber,40km,SC/ST/FC connector,-40 ~ +75°C
DW-MCD455-80T	10/100M,4*RJ45,dual fiber,80km,SC/ST/FC connector,-40 ~ +75°C
DW-MCD455-12T	10/100M,4*RJ45,dual fiber,120km,SC/ST/FC connector,-40 ~ +75°C
DW-MCS435-20T DW-MCS453-20T	10/100M,4*RJ45,Single fiber,20km,SC/ST/FC connector, -40 ~ +75°C
DW-MCS435-40T DW-MCS453-40T	10/100M,4*RJ45,Single fiber,40km,SC/ST/FC connector, -40 ~ +75°C
DW-MCS435-60T DW-MCS453-60T	10/100M,4*RJ45,Single fiber,60km,SC/ST/FC connector, -40 ~ +75°C
DW-MCS445-80T DW-MCS454-80T	10/100M,4*RJ45,Single fiber,80km,SC/ST/FC connector, -40 ~ +75°C
DW-MCS445-10T DW-MCS454-10T	10/100M,4*RJ45,Single fiber,100km,SC/ST/FC connector, -40 ~ +75°C